

# raqball

## RB2.0



These instructions must be read before use and must be kept safely for further reference throughout the life of the product

## Target Board & Support Module

# ASSEMBLY INSTRUCTIONS

Further information:

[www.raqball.com/en](http://www.raqball.com/en)



© 2021 - RZBALL COMPANY

930 Route des Dolines - 06560 VALBONNE SOPHIA ANTIPOLIS - France

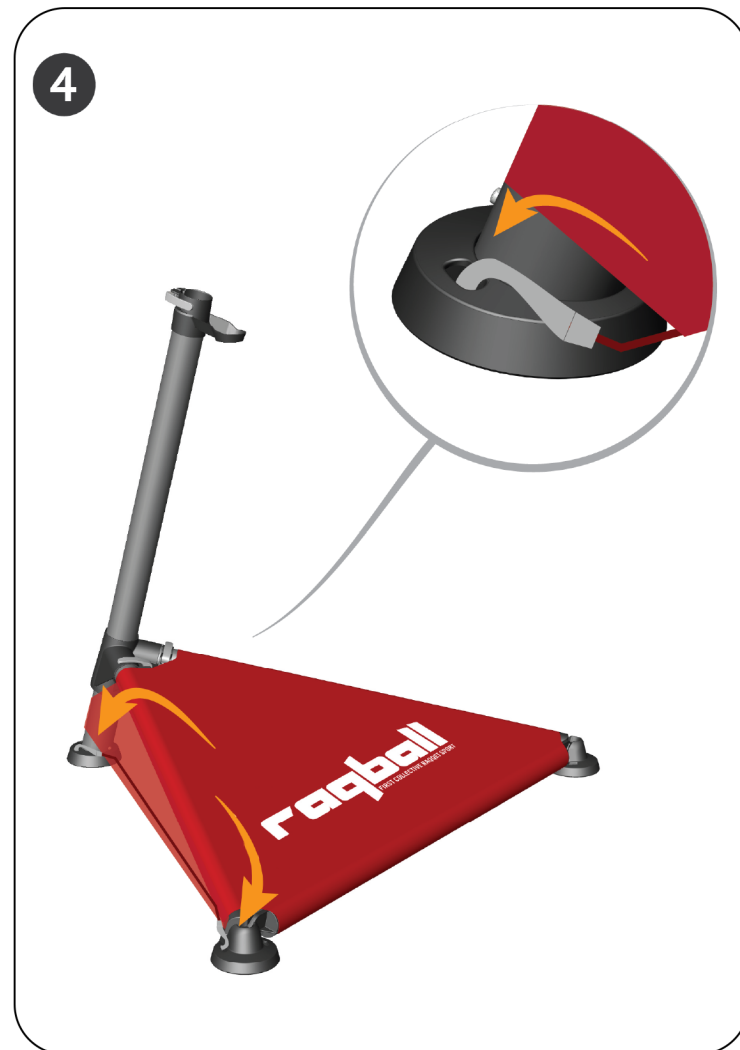
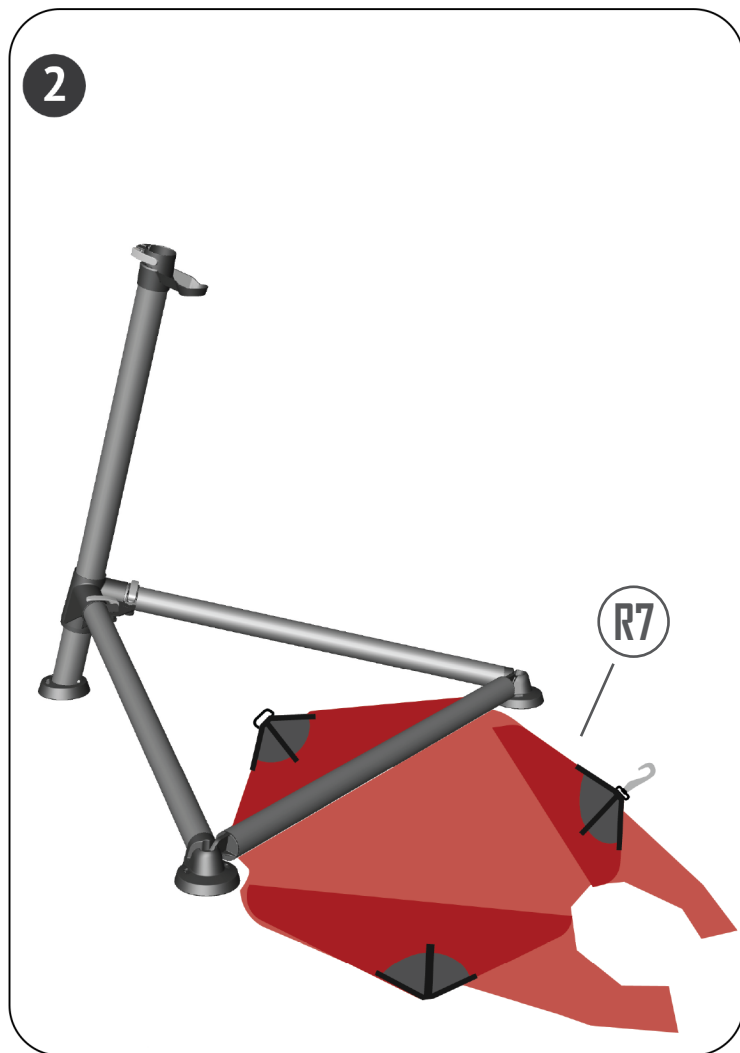
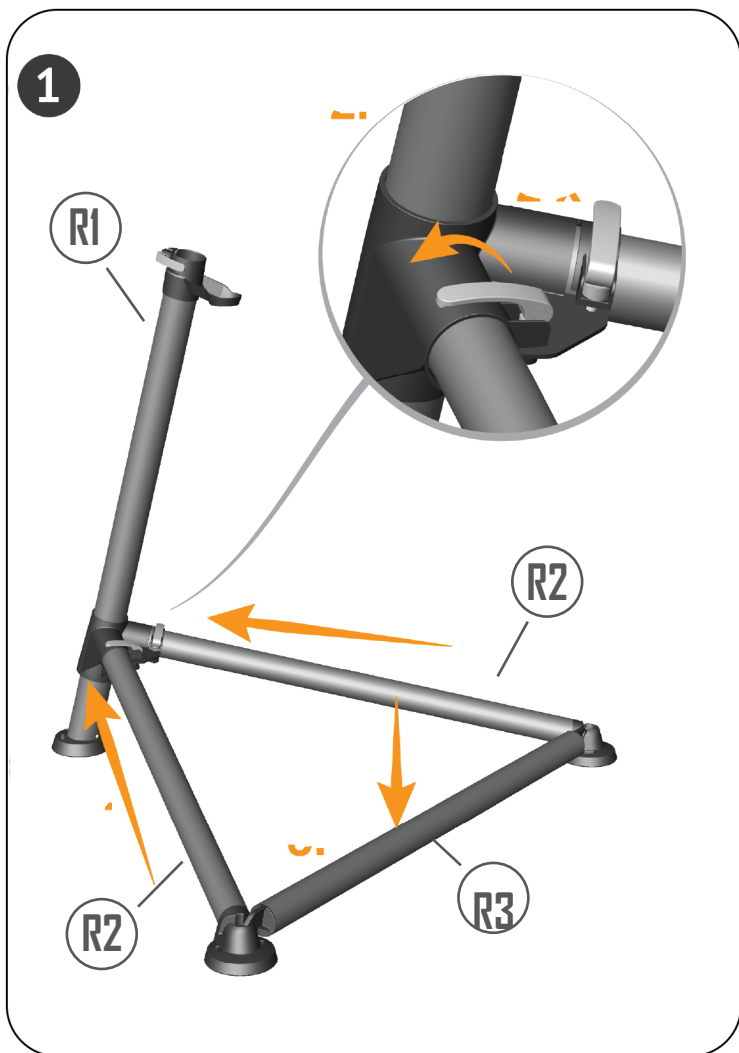


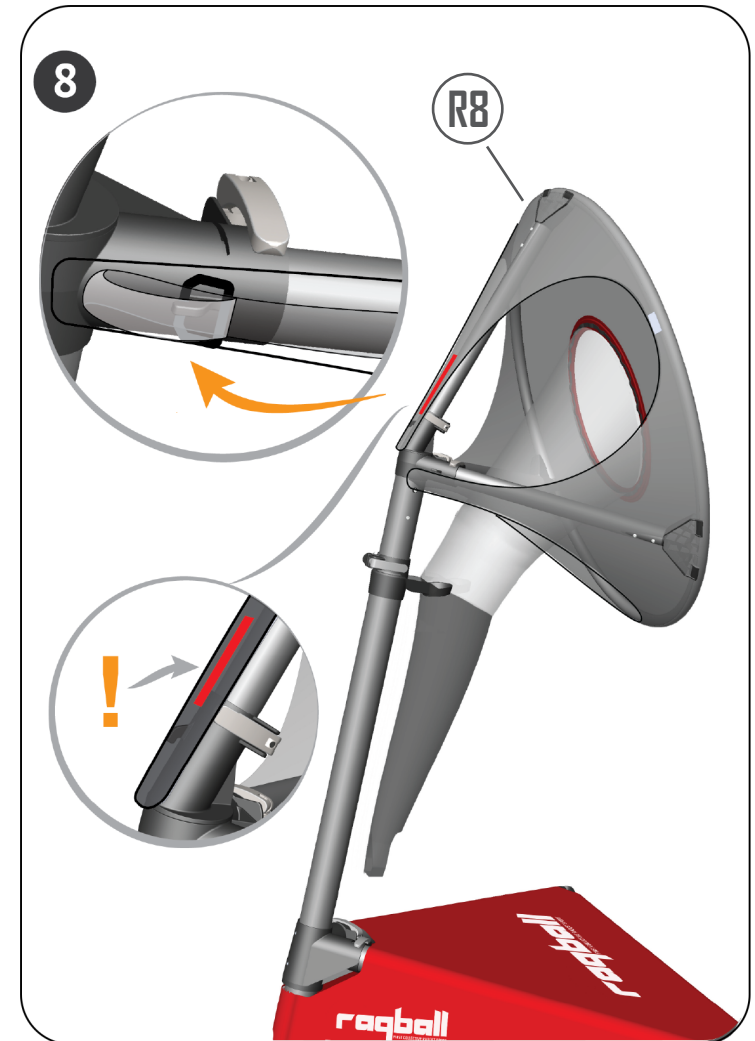
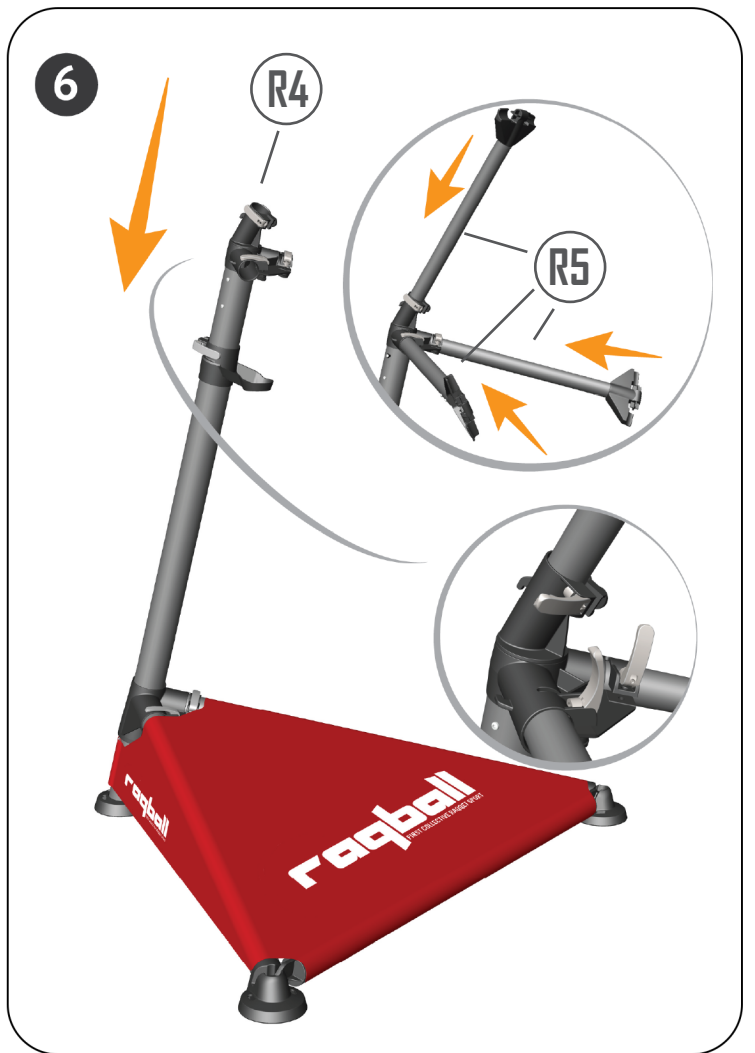
Designs and models of RAQBALL® equipment are protected

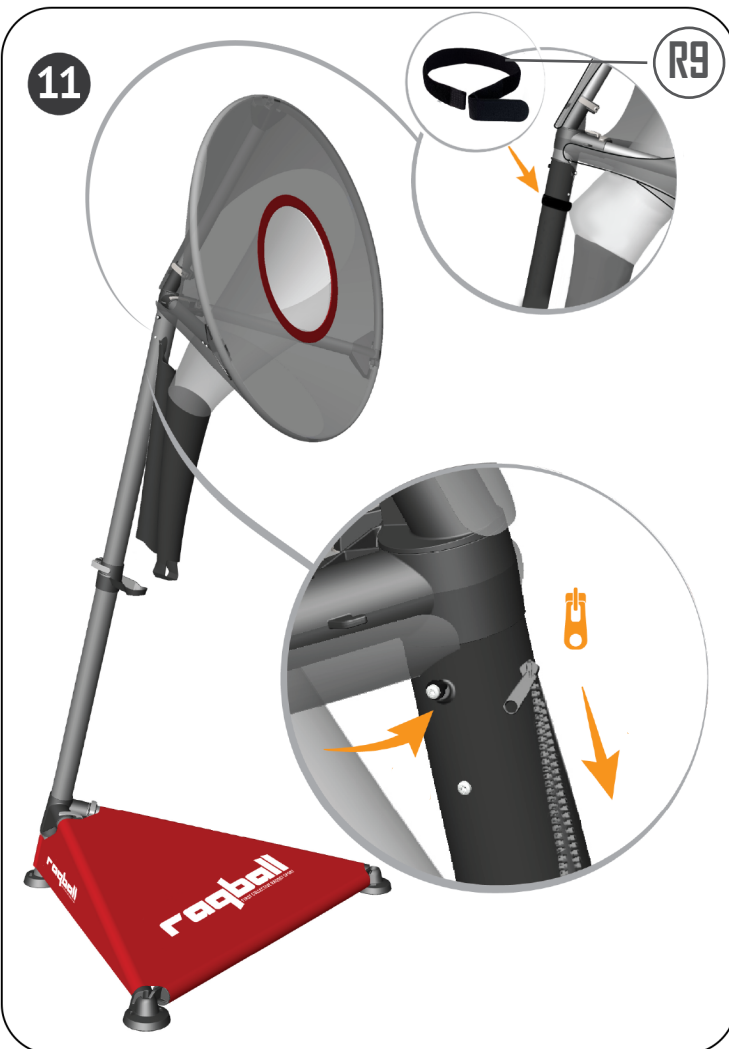
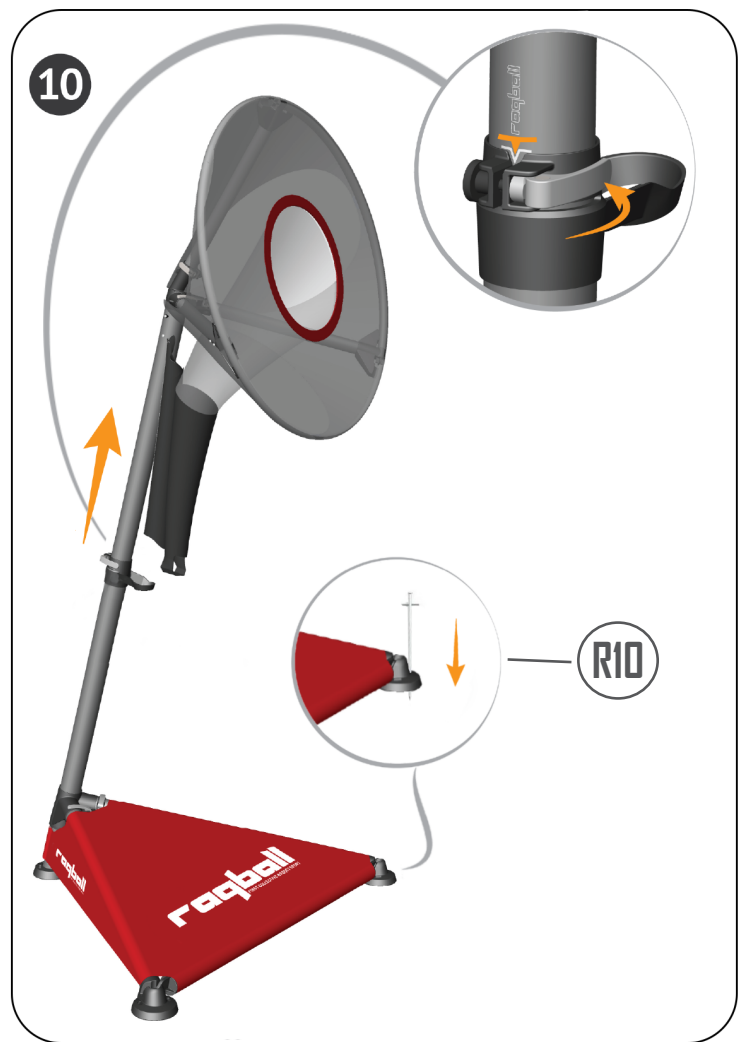


In accordance with regulations

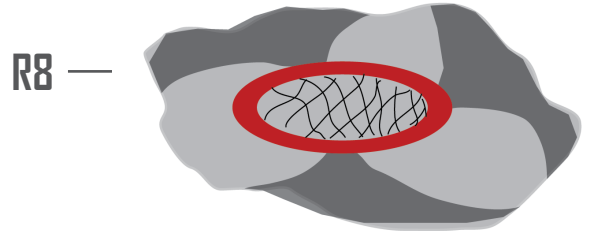
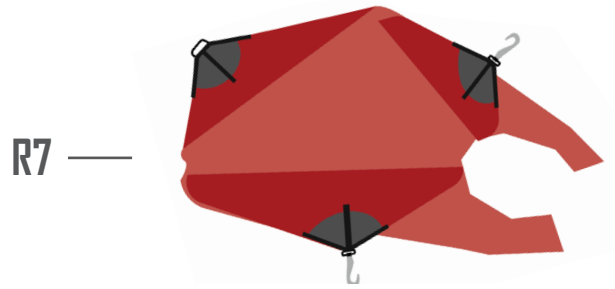
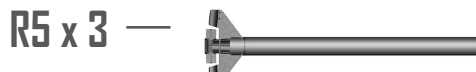
EN



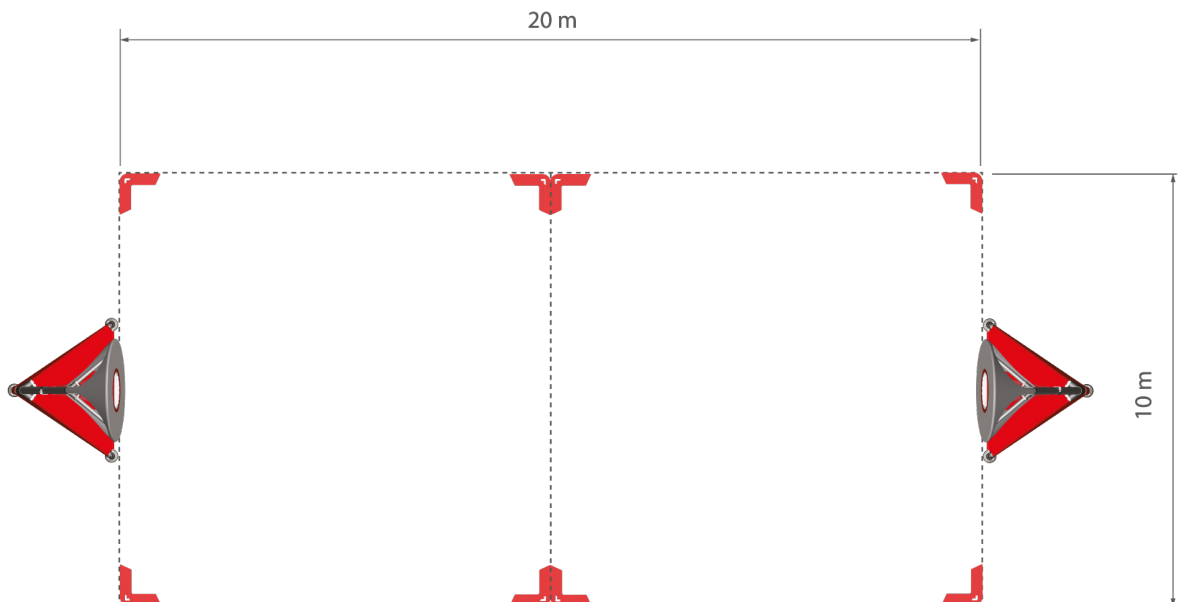




## Parts in the Raqball RB2.0 Target Board & Support Module



## Portable Court Equipment RB2.0





## INSTRUCTIONS FOR THE SAFE ASSEMBLY & USE OF THE TARGET BOARD & SUPPORT MODULE

- Product intended only for the practice of Raqball.
- Follow the assembly instructions (diagrams provided).
- Use only the parts supplied in the case for the assembly.
- The assembly must be carried out by an adult.
- Ensure that all the fittings are properly tightened before use.
- In order to avoid toppling, ensure that the assembly is mounted correctly and stands level on its feet.
- When using the board on loose or sandy ground, anchor pegs through the feet may be used. Recommended characteristics of the pegs: Length: 230 mm – Diameter: 6 mm – Sharp tip – Galvanised steel (Part R10 not supplied).
- The equipment may only be used under the supervision of duly trained or qualified personnel.
- Playing Raqball must be performed under the supervision of duly trained or qualified personnel.
- Contact between players is not permitted in this sport; a distance between players equal to an arm + racket length is required\*.
- Player-board contact is not permitted and is considered to be a foul. A distance between the board and the player equal to an arm + racket length is required\*.
- The equipment must be lowered (part R4) during phases when no play is taking place (pauses, between matches...).
- The equipment is not intended for individual or family use.
- The equipment must not be used improperly.
- Do not climb or exert undue force on the frame.
- Store the equipment in a closed case after use.
- The parts that are worn must be replaced with original replacement parts from the manufacturer (no home-made repair is permitted).
- A tool is available to tighten the fittings.
- Non-compliance with these instructions exempts the manufacturer and the distributor from all liabilities.

\* Refer to the rules of the game

