

raqball

RB2.0



These instructions must be read before use and must be kept safely for further reference throughout the life of the product



Duration of assembly: 5 minutes

Target Board & Support Module

ASSEMBLY INSTRUCTIONS

More information:

www.raqball.com

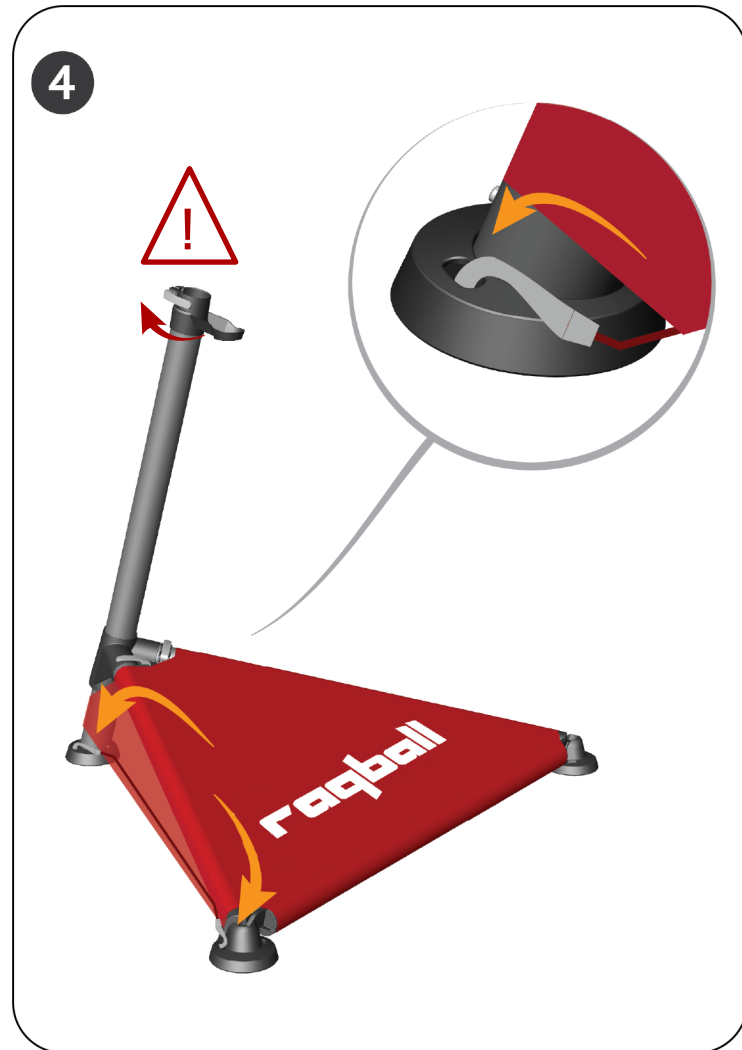
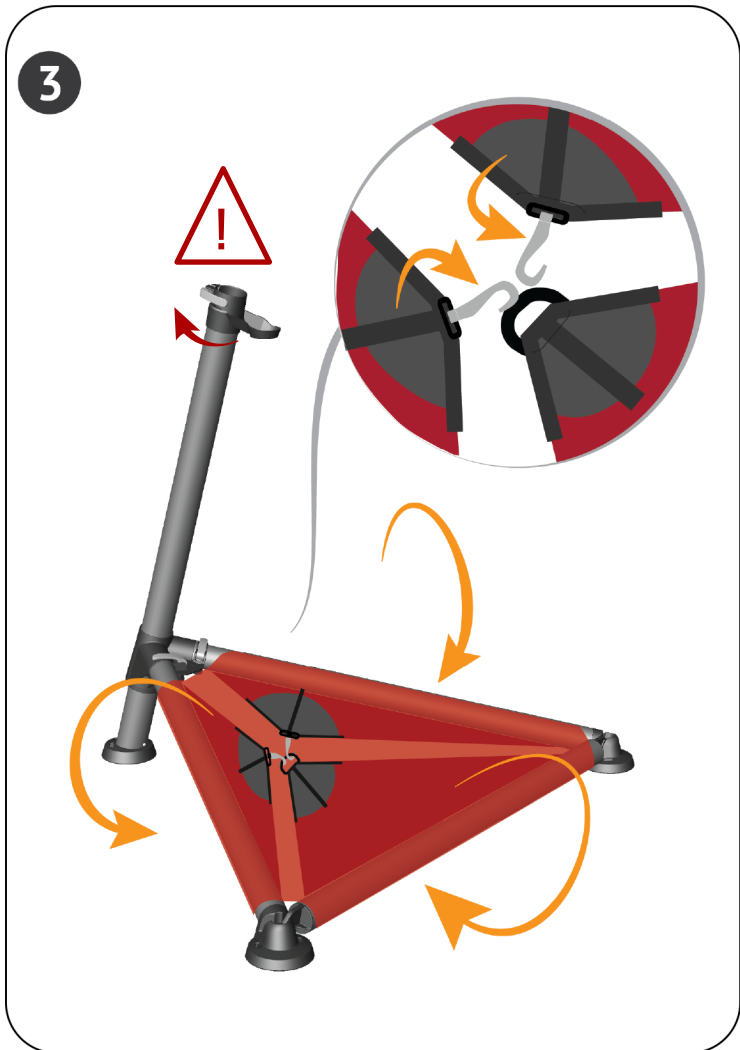
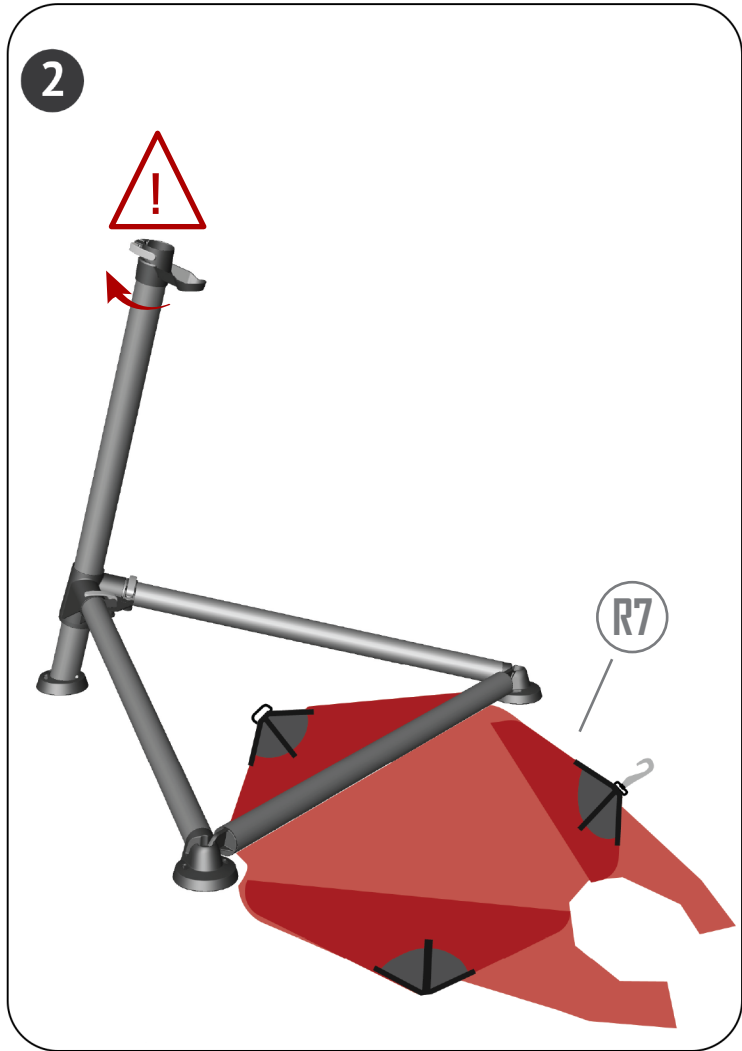
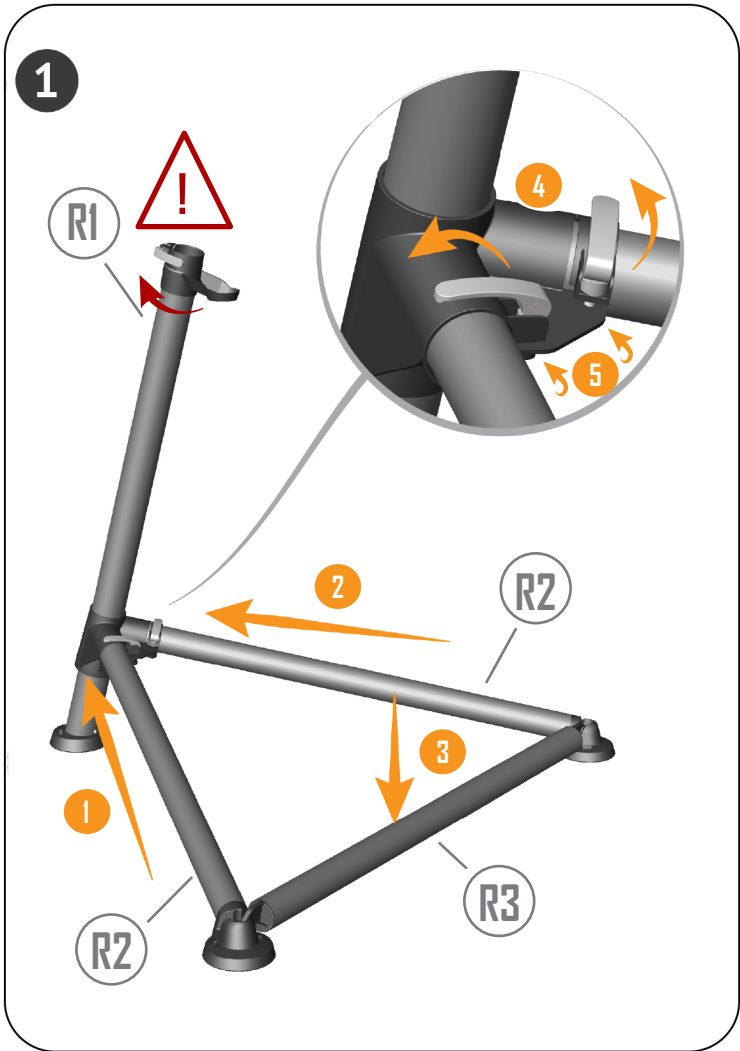


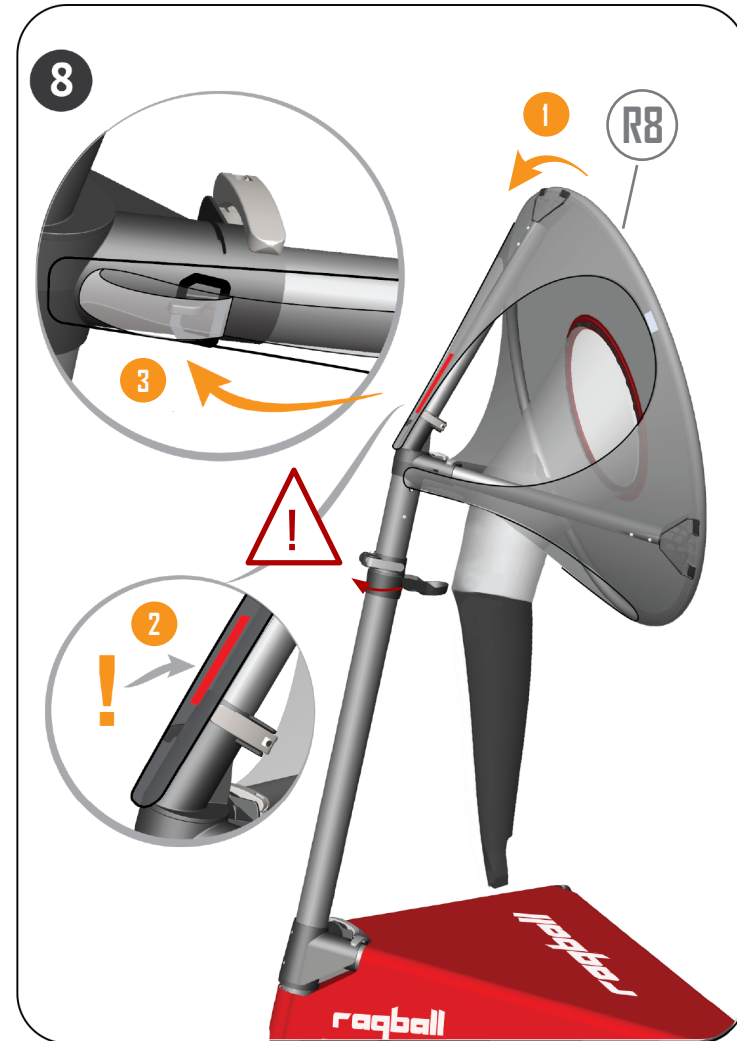
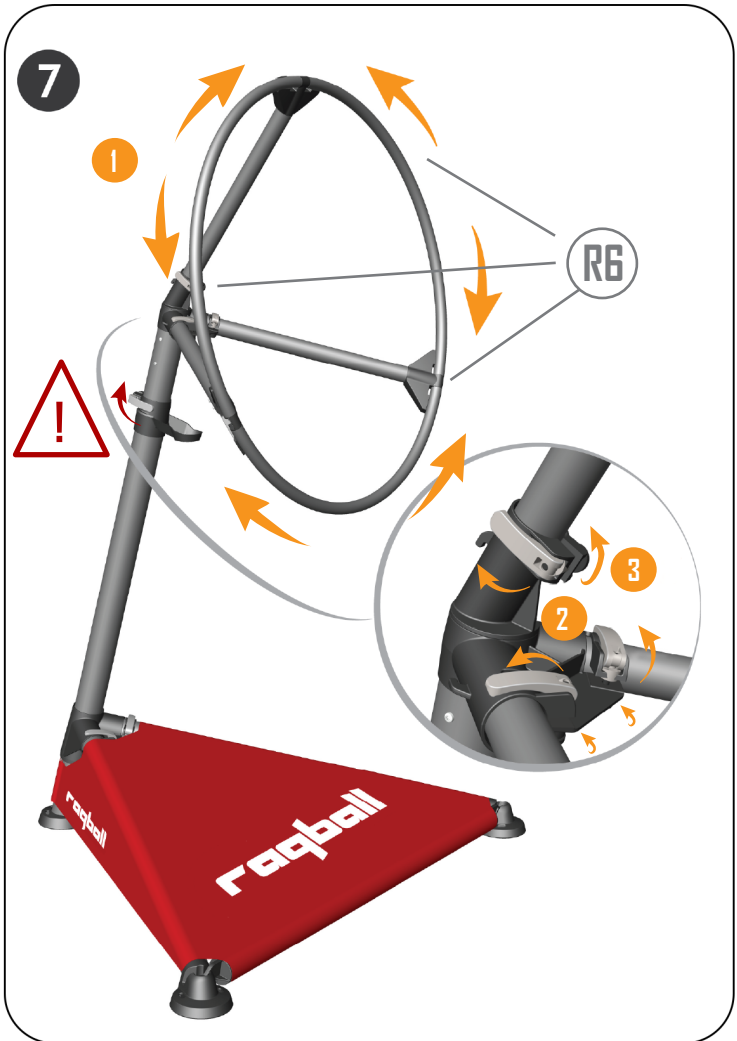
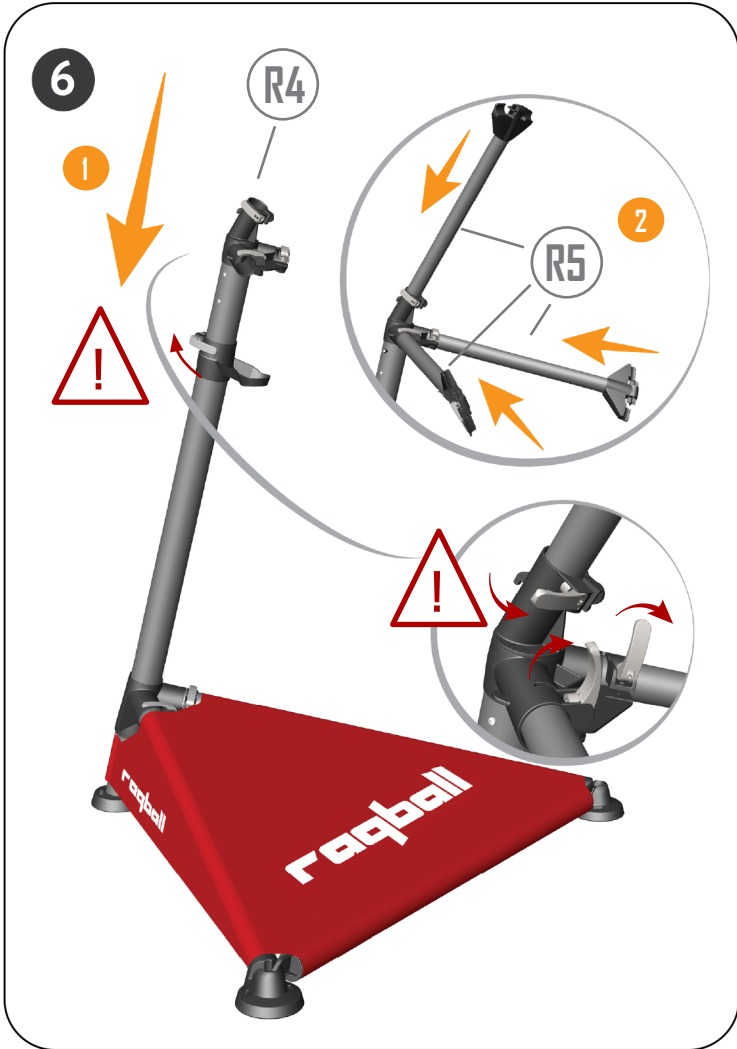
© 2024 - RZBALL COMPANY

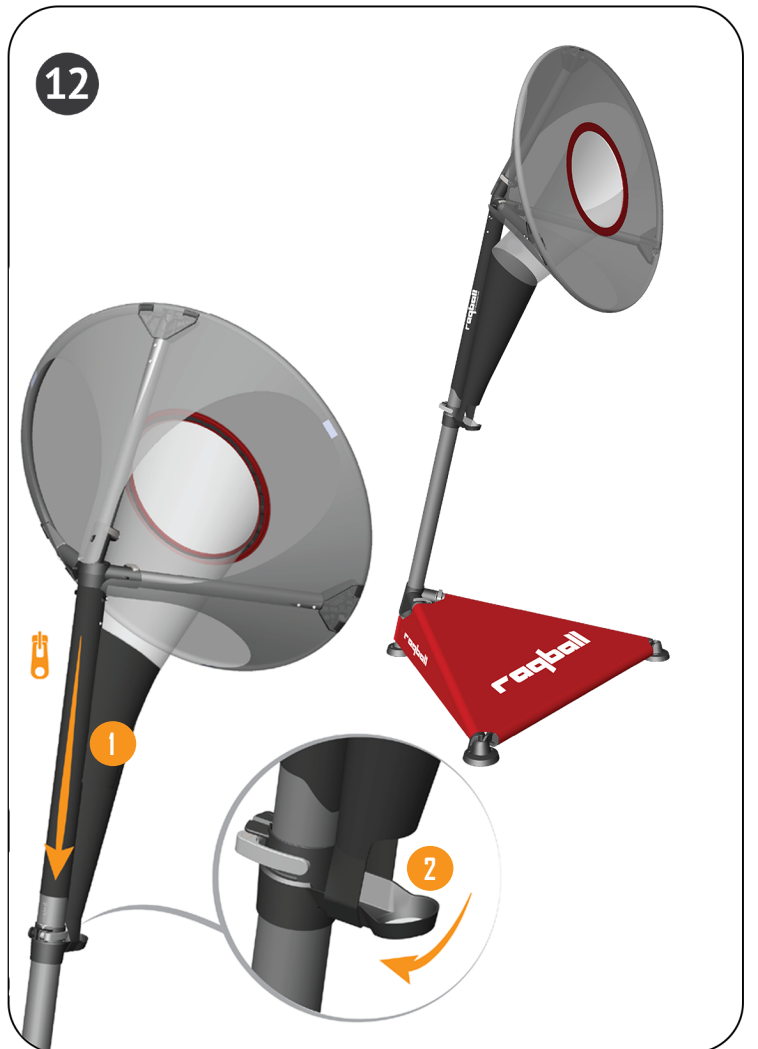
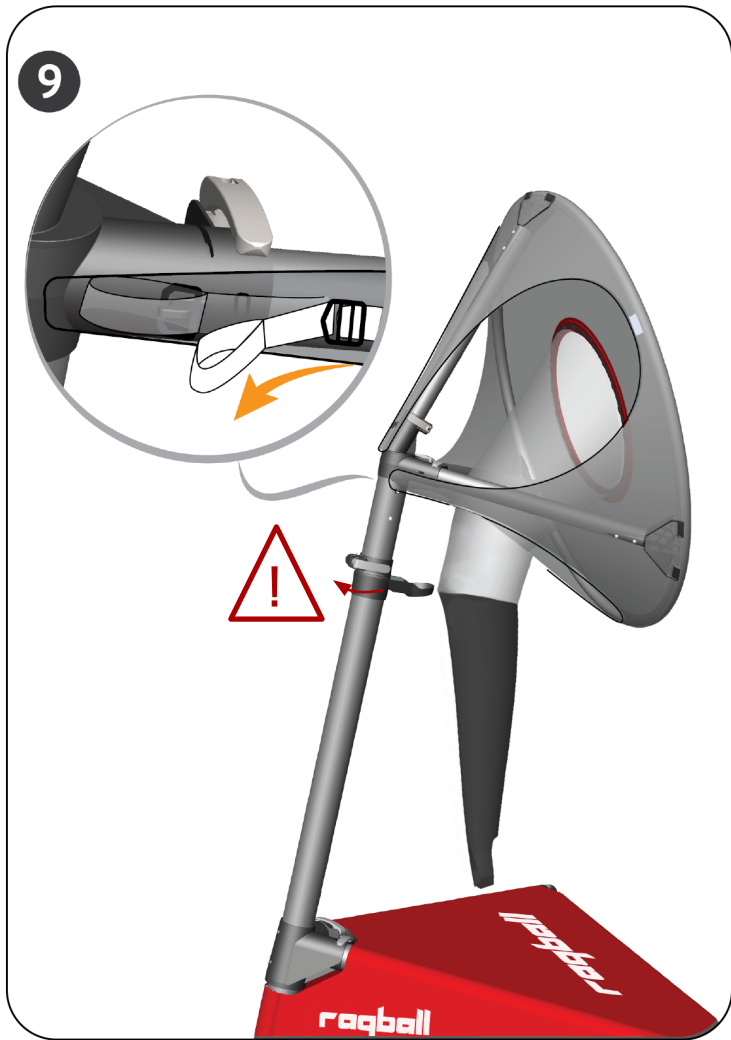
120 Route des macarons - 06560 VALBONNE SOPHIA ANTIPOLIS - France



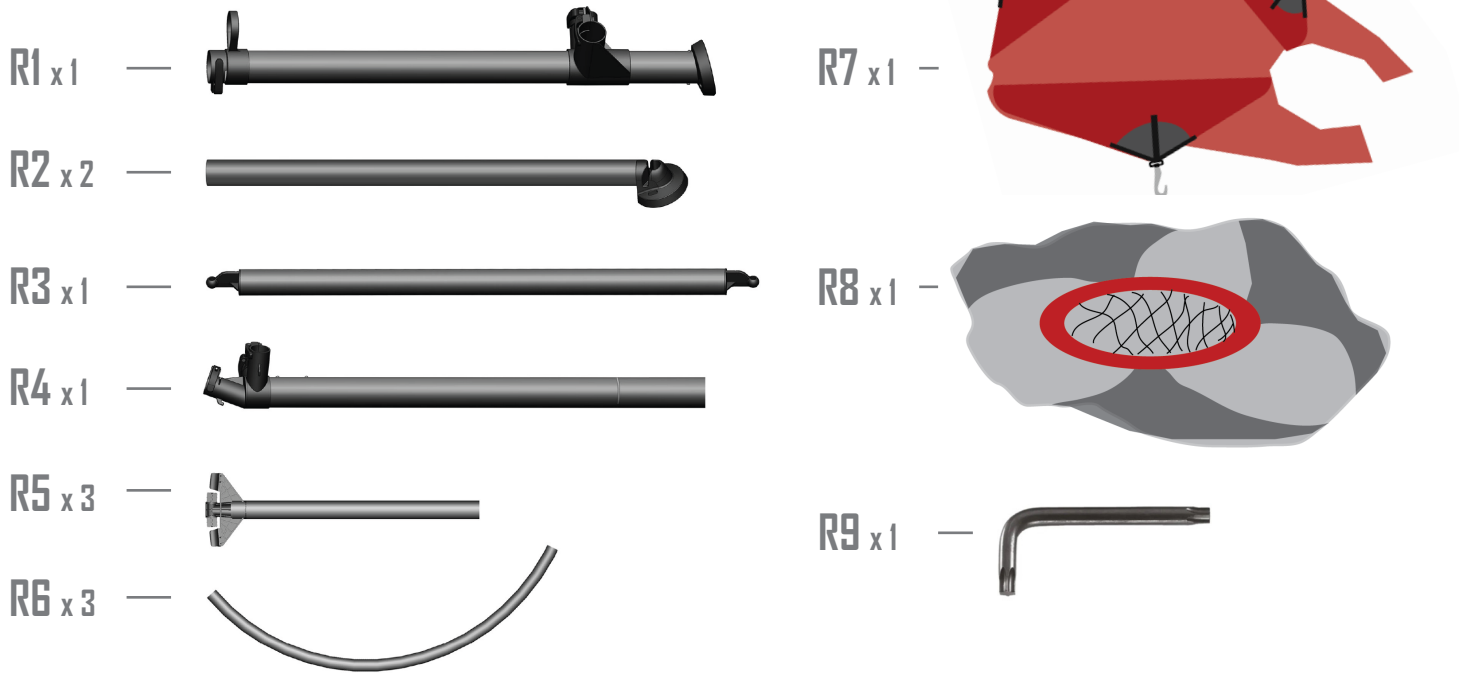
EN



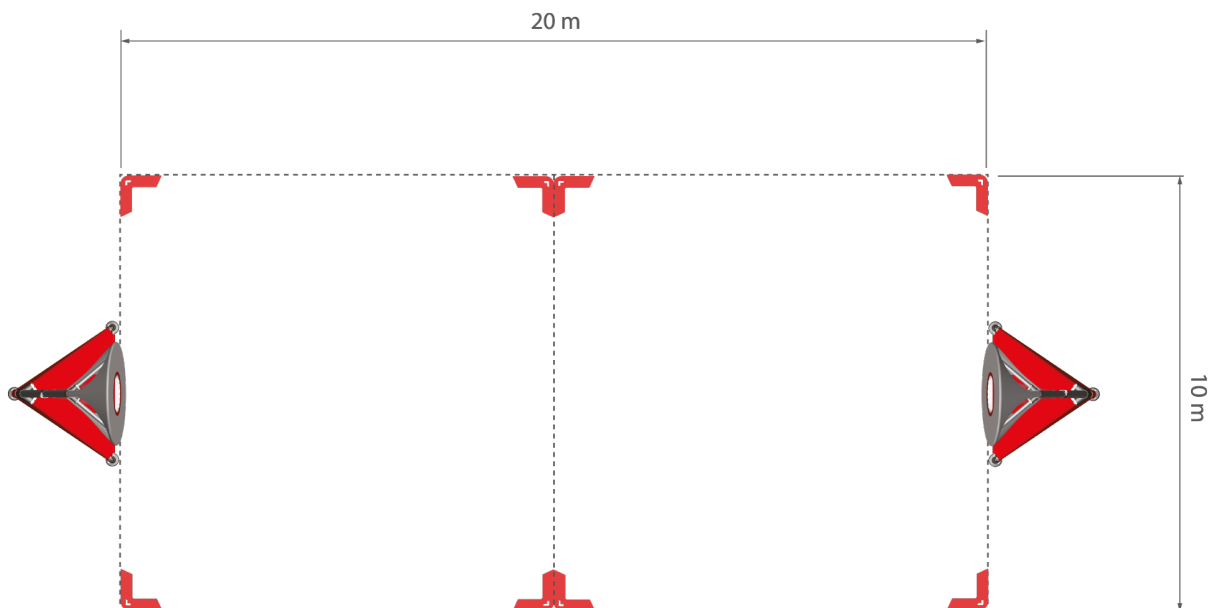




Parts in the Raqball RB2.0 Target Board & Support Module



Portable Court Equipment RB2.0





ASSEMBLY MANUAL WITH SAFETY INFORMATION AND PRECAUTIONS OF USE

GENERAL PURPOSE WARNING:

- These instructions must be read before use and must be kept safely for further reference throughout the life of the product.
- Product intended only for the practice of Ragball.
- Follow the assembly instructions (diagrams provided).
- Use only the parts supplied in the case for the assembly.
- The assembly must be carried out by an adult.
- The equipment may only be used under the supervision of duly trained or qualified personnel.
- The equipment is not intended for individual or family use, but exclusively for professional use.
- The equipment must not be used improperly.
- Do not climb or exert undue force on the frame.
- Do not use the equipment in case of severe wind conditions.
- The equipment must be maintained by the owner to ensure it complies with the appropriate safety requirements at all times.
- The owner has to draw up a plan for periodic checks and maintenance of the equipment.
- The owner must keep an up-to-date log in which the dates and results of required inspections and testing are recorded.
- The owner must ensure that all players are aware of, and follow the instructions for use of the equipment.
- Any equipment that does not comply with safety requirements must be rendered inaccessible to users by the owner or operator.

DURING ASSEMBLY:

- Check (both visually and manually) the stability and solidity of the equipment each time the equipment is installed.
- Check that the knurled screws are loose to avoid any scratches on the tubes.
- In order to avoid toppling, ensure that the assembly is mounted correctly and stands level on its feet.
- Ensure that all the fittings are properly tightened before use.
- When using the board on loose or sandy ground, anchor pegs through the feet may be used. Recommended characteristics of the pegs:
Length: 230 mm - ø: 6 mm - Sharp tip - Galvanised steel [not supplied].

IN-GAME USAGE WARNING:

- Playing Ragball must be performed under the supervision of duly trained or qualified personnel.
- Contact between players is not permitted in this sport; a distance between players equal to 1 meter is required*.
- Player-board contact is not permitted and is considered to be a foul. A distance between players and board equal to 1 meter is required*.
- Do not climb, jump, play on the base cover or frame.
- The equipment must be lowered (part R4) during phases when no play is taking place (pauses, between matches...).

DISASSEMBLY AND STORAGE:

- Store the equipment in the case after use and then close the case.
- Check that the knurled screws are loose to avoid any scratches on the tubes.
- Do not sit on the case or equipment when it is compacted.
- Equipment should be stored on a firm, level surface.

MAINTENANCE AND WARRANTY:

Weather conditions, corrosion or misuse can damage the system. In order to extend the operating life of your equipment, we recommend that you:

- Respect the use and the storage procedures.
- Check each component (support module, board, target tube, base, etc.) regularly to ensure the equipment remains in good working order.
- Inspect and tighten fasteners regularly.
- The parts that are worn must be replaced with original replacement parts from the manufacturer (no home-made repair is permitted).
- A tool is available to tighten the fittings.
- Do not use detergents to clean the equipment.
- Clean with clear, soapy water.

SAFETY INSTRUCTIONS:

FAILURE TO COMPLY WITH THESE SAFETY INSTRUCTIONS RELIEVES THE MANUFACTURER AND THE DISTRIBUTOR FROM ALL LIABILITIES AND MAY VOID THE WARRANTY.

* Refer to the rules of the game

